

Talos N 24

TECHNICAL FEATURES



Description

Lighting body present in the APL CLASSIC ELV system. Available with right or left optic.

OPTICAL CHARACTERISTICS

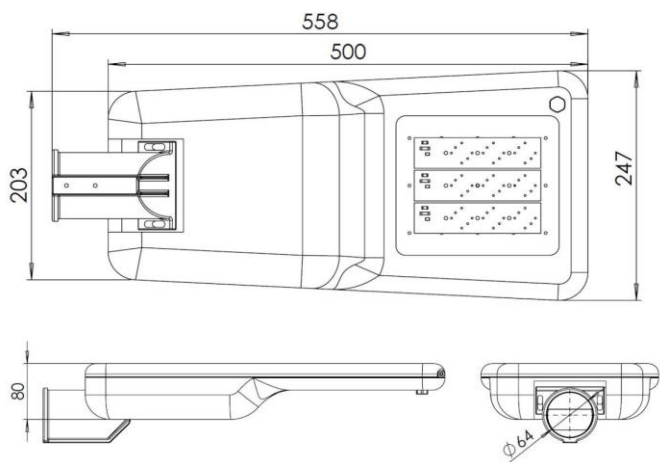
Light source	8 LEDs @0.7 A
CCT	4000K
Total flux	7815 lm
CRI	>70
Lifetime cycle	>100'000 hours

ELECTRICAL CHARACTERISTICS

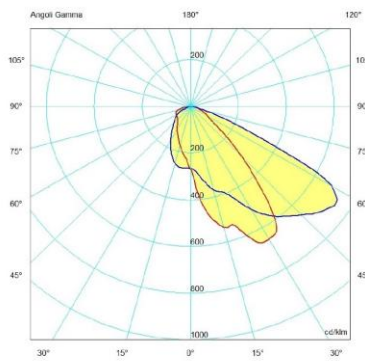
Power supply	24 Vdc
Current consumption	2.9 A ± 10%
Power consumption	68 W ± 10%
power factor	>95%
Connections	3x1.5mm ² H07 cable with IP68 connector
Protections	Overvoltages (surge 2KV)
Insulation class	Class III

MECHANICAL CHARACTERISTICS

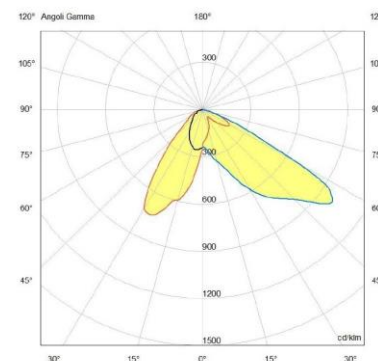
IP code	IP66
IK code (EN60529)	IK09
Dimensions	500 x 80 x 247 mm
Fixing	Arm-pole or Head-pole
Adjustment	-15° ÷ +15°
Pole diameter	60 mm
Weight	5 Kg
Operative temperature	-25°C ÷ 50°C
Materials	Die-cast aluminum and tempered glass
Colour	Akzo Nobel 900 Gris sablé



RIGHT OPTIC



LEFT OPTIC



Rev. 3.0

15/12/2021

Approved TEC

Approved AQ