

# Talos N 230

## TECHNICAL FEATURES



### Description

Lighting body present in the APL CLASSIC system. Available with right or left optic.

### OPTICAL CHARACTERISTICS

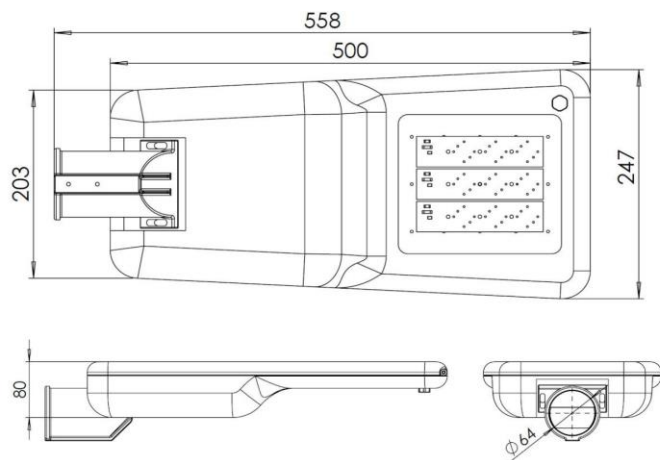
Light source	8 LEDs @0.7A
CCT	4000K
Total flux	7815 lm
CRI	>70
LED lifetime	>100'000 hours

### ELECTRICAL CHARACTERISTICS

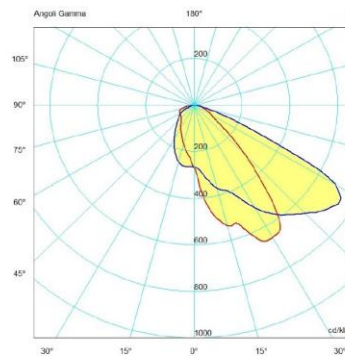
Power supply	230 Vac
Current consumption	0.29 A ± 10%
Power consumption	68 W ± 10%
Power factor	>95%
Connections	3x1.5mm <sup>2</sup> H07 cable
Protections	Overvoltages (surge 10KV)
Insulation class	Class II

### MECHANICAL CHARACTERISTICS

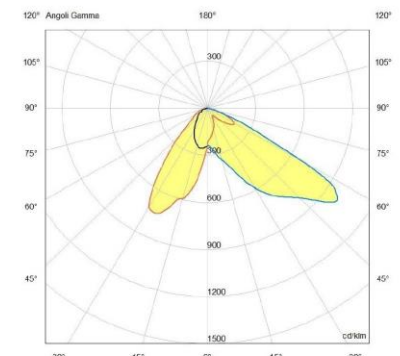
IP code	IP66
IK code (EN60529)	IK09
Dimensions	500 mm x 80 mm x 247 mm
Fixing	Arm or Head-pole
Adjustability	-15° ÷ +15°
Pole diameter	60 mm
Weight	5 Kg
Operative temperature	-25°C ÷ +50°C
Materials	Die-cast aluminum and tempered glass
Colour	Akzo Nobel 900 Gris sablé



RIGHT OPTIC



LEFT OPTIC



Rev. 3.0

15/12/2021

Approved TEC

Approved AQ