

Talos N 12

TECHNICAL FEATURES



Description

Lighting body present in the APL Solar and APL Solar Active systems. Available with right or left optic.

OPTICAL CHARACTERISTICS

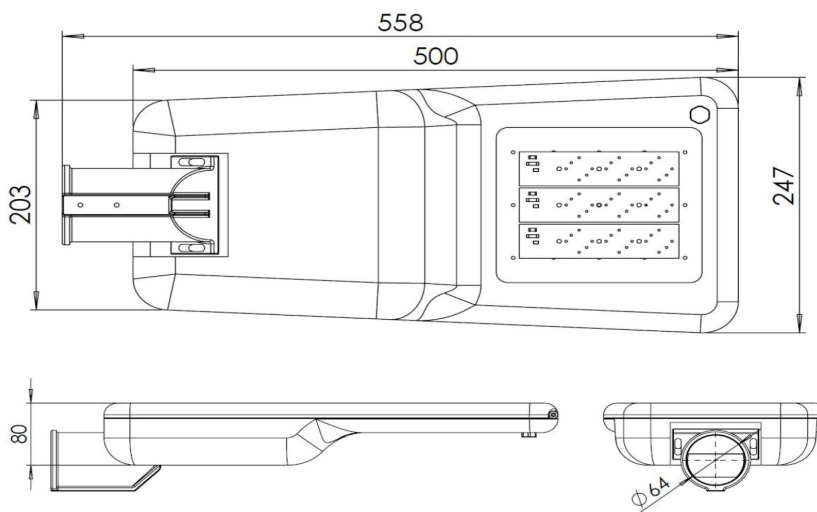
Light source	15 LED @ 0.35 A
CCT	4000K
Total flux	1700 lm
CRI	>70
LED lifetime	>100 000 hours

ELECTRICAL CHARACTERISTICS

Power supply	12 Vdc
Current consumption	1.5 A
Power consumption	19 W
Power factor	>95%
Connections	3x1.5mm ² H07 cable with IP68 connector
Protections	Overvoltages (surge 2KV)
Insulation class	Class III

MECHANICAL CHARACTERISTICS

IP code	IP66
IK code	IK09
Dimensions	500 x 80 x 247 mm
Fixing	Arm or Head-pole
Adjustability	-15° ÷ 15°
Pole diameter	60 mm
Weight	5 Kg
Operating temperature	-25°C ÷ +50°C
Material	Die-cast aluminum and tempered glass
Colour	Akzo Nobel 900 Gris sablé



Rev. 3.0
29/08/2023

Approved TEC

Approved AQ