

# Talos G 24

## TECHNICAL FEATURES



### Description

Lighting body present in the APL CLASSIC ELV and SMART system. Available with right or left optic.

### OPTICAL CHARACTERISTICS

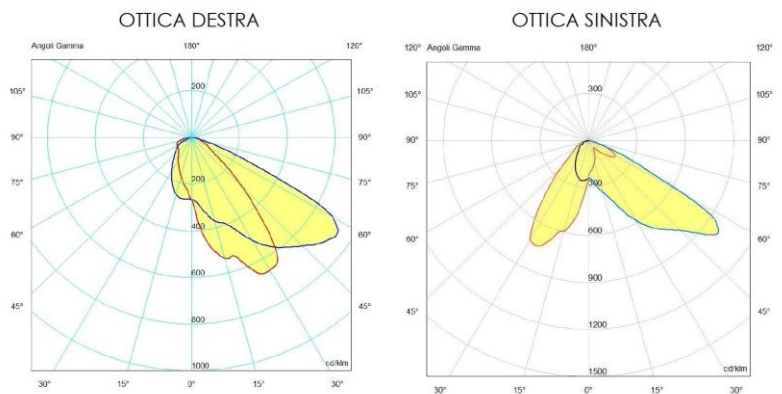
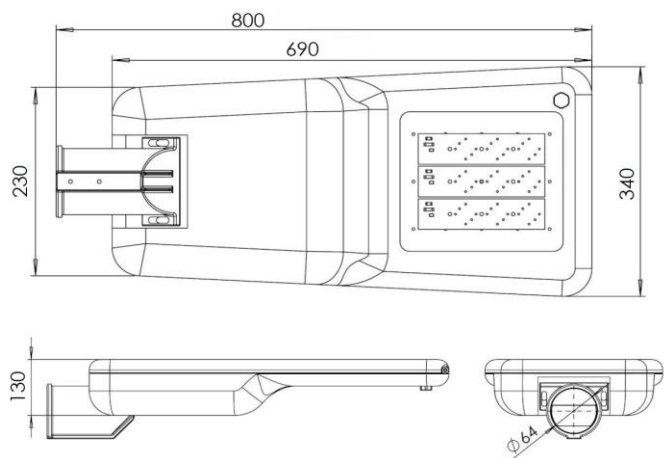
Light source	16 LEDs @0.7A
CCT	4000K
Total flux	16311 lm
CRI	>75
Lifetime cycle	>100'000 hours

### ELECTRICAL CHARACTERISTICS

Power supply	24 Vdc
Current consumption	6 A ± 10%
Power consumption	137 W ± 10%
Power factor	>95%
Connections	3x1.5mm <sup>2</sup> H07 cable with IP68 connector
Protections	Overvoltages (surge 2KV)
Insulation class	Class III

### MECHANICAL CHARACTERISTICS

IP code	IP66
IK code (EN60529)	IK09
Dimensions	690 x 130 x 340 mm
Fixing	Arm-pole or Head-pole
Adjustment	-15° ÷ +15°
Pole diameter	60 mm
Weight	7 Kg
Operative temperature	-40°C ÷ +50°C
Materials	Die-cast aluminum and tempered glass
Colour	Akzo Nobel 900 Gris sablé



Rev. 3.0

15/12/2021

Approved TEC

Approved AQ