

Talos G 230

TECHNICAL DATASHEET



Description

Lighting body present in the APL CLASSIC and SMART WIRELESS systems. Available with right or left optic.

OPTICAL FEATURES

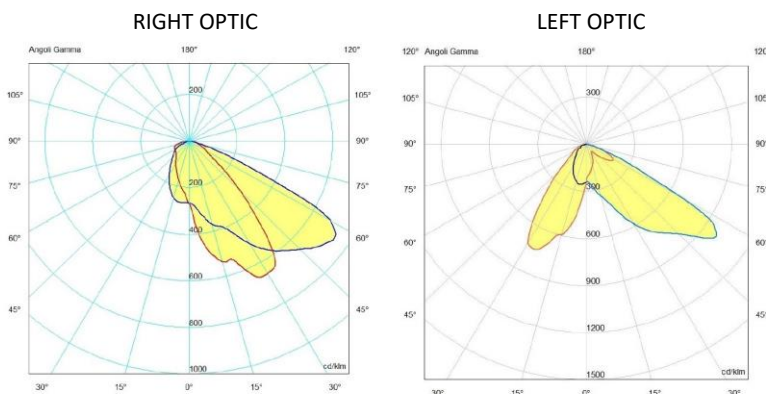
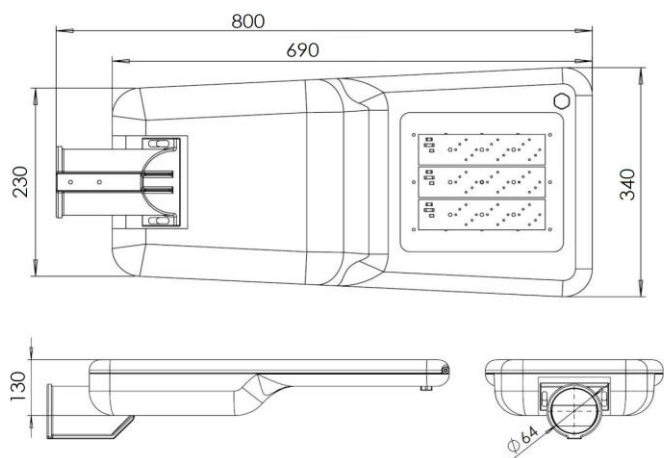
Light source	16 LEDs @0.7A
CCT	4000K
Total flux	16311 lm
CRI	>75
Lifecycle	>100'000 hours

ELECTRICAL FEATURES

Supply	230 Vac
Current	0.6 A ± 10%
Power	137 W ± 10%
Power factor	>95%
Connections	3x1.5mm ² H07 cable (connector only for the APL SMART WIRELESS version)
Protections	Overvoltages (surge 10KV)
Insulation class	Class II

MECHANICAL FEATURES

IP protection	IP66
IK code (EN60529)	IK09
Dimensions	690 mm x 130 mm x 340 mm
Fixing	Side or top-post
Regulation	-15° ÷ +15°
Pole diameter	60 mm
Weight	7 Kg
Operative temperature	-40°C ÷ +50°C
Material	Die-cast aluminum and tempered glass
Colour	Akzo Nobel 900 Gris sablé



Rev. 3.0
15/12/2021

Approved TEC

Approved AQ