

Pedestrian sensor

TECHNICAL FEATURES



Description

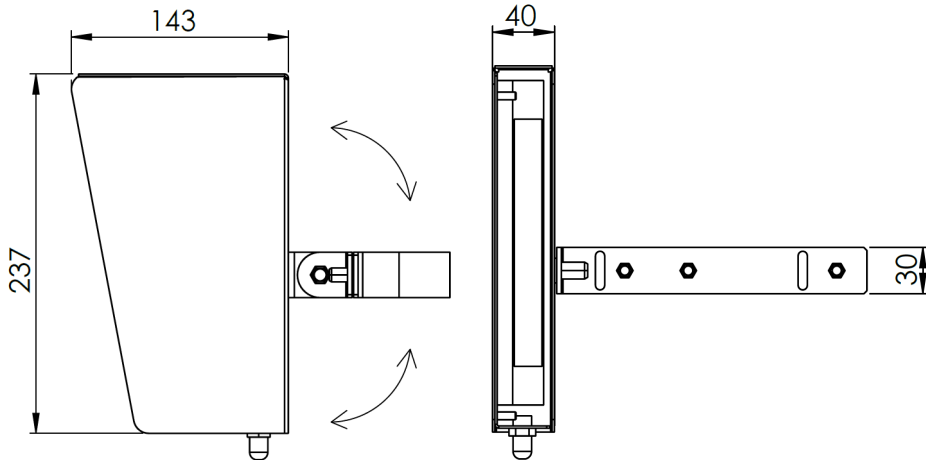
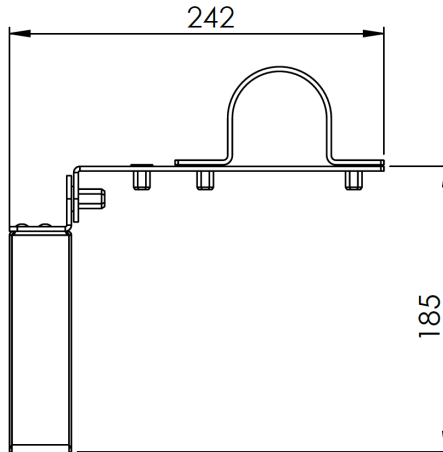
Pedestrian activation device to make the Safety Cross, APL Smart and APL Solar Active pedestrian crossing systems safe and interactive.

ELECTRICAL FEATURES

Power Supply	12 Vdc (11 ÷ 13 Vdc)
Average power consumption	>1.5 W
Light signaling	Green ON (Power supply); Red ON (Detection); Red/Green Flashing (Auto diagnostics)
Activation system	Infrared
Insulation class	Class III

MECHANICAL FEATURES

Operating temperature	-20°C ÷ +65°C
IP Protection Degree	IP54
Dimensions	242 x 237 x 143 mm (brackets not included)
Weight	0.5 Kg
Material	Aluminum
Fixing	60mm, 90mm or Band-it



Rev. 3.0 06/03/2024	Approved TEC	Approved AQ
------------------------	--------------	-------------