

# 60x60 backlit sign double-sided



## TECHNICAL FEATURES



### Description

Double-sided square backlit sign according to EN12899 L2 class.

### OPTICAL FEATURES

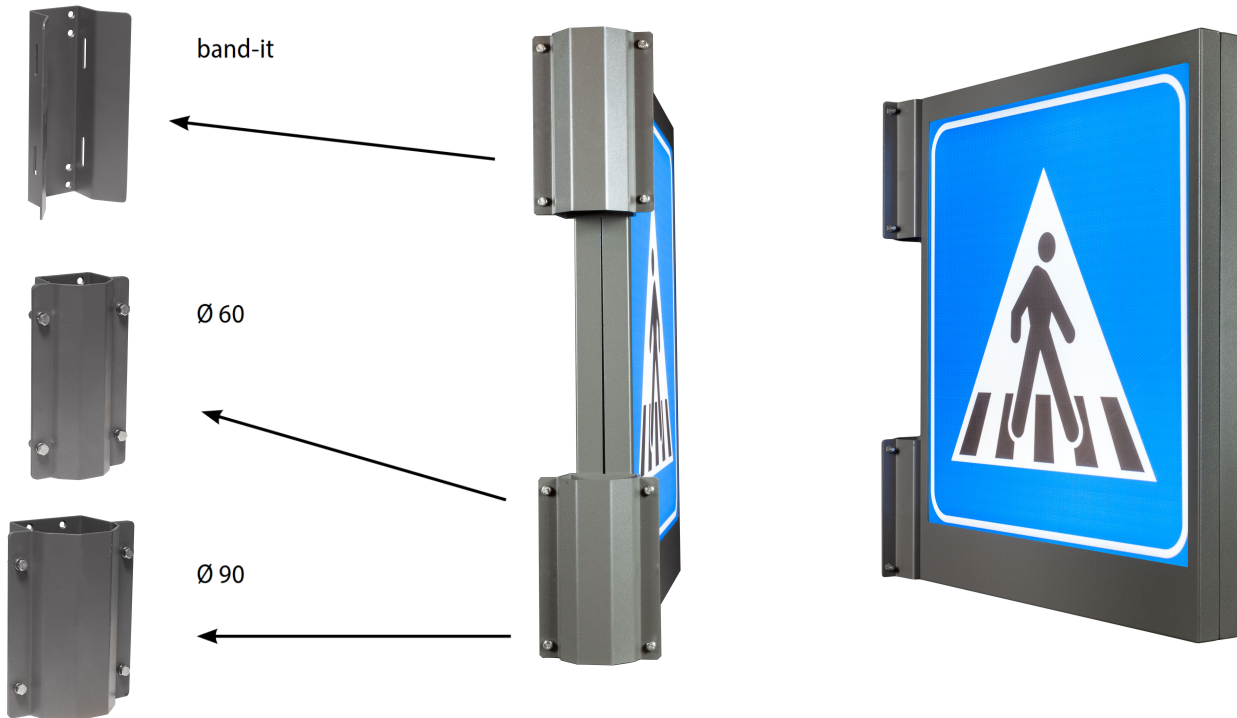
Light source	LEDs arranged on the 4 sides	
Optics	Double-side	
Emission Area	0.35 m <sup>2</sup>	
Luminous intensity	300 cd	
Color	6000 K ÷ 8000 K	
Optical Group Life	> 50'000 Hours	

### ELECTRICAL FEATURES

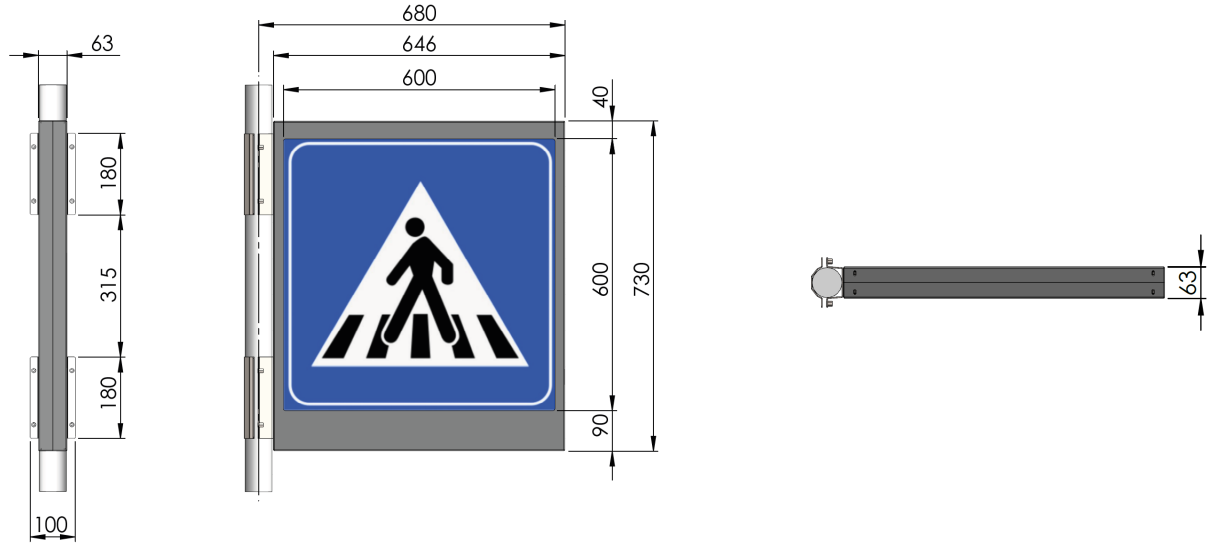
Power Supply	12 Vdc (11 Vdc ÷ 15 Vdc)	230 Vac
Power consumption	25 W	40 W
Insulation class	Class III	Class II

### MECHANICAL FEATURES

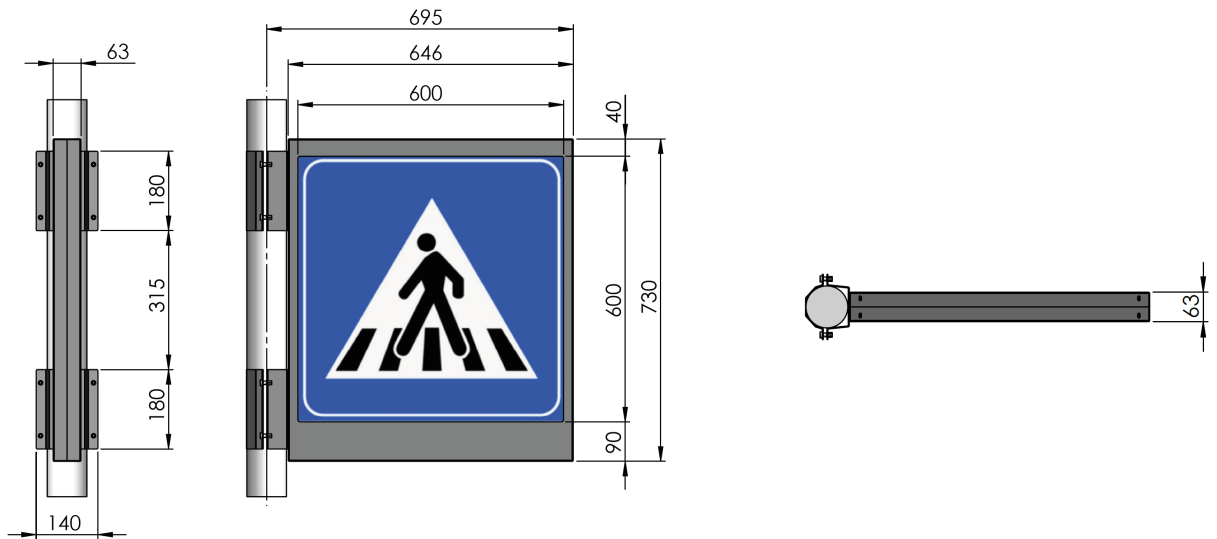
Operating Temperature	-10 °C ÷ +55 °C		
IP Protection Degree	IP54		
Weight	13 Kg		
Dimensions	646 x 730 x 63 mm (without brackets)		
Film	Transucent Class 2		
Connection	2x1 mm <sup>2</sup> cable H07RN length 3.5 meters		
Fixing	60 mm	90 mm	Band-it



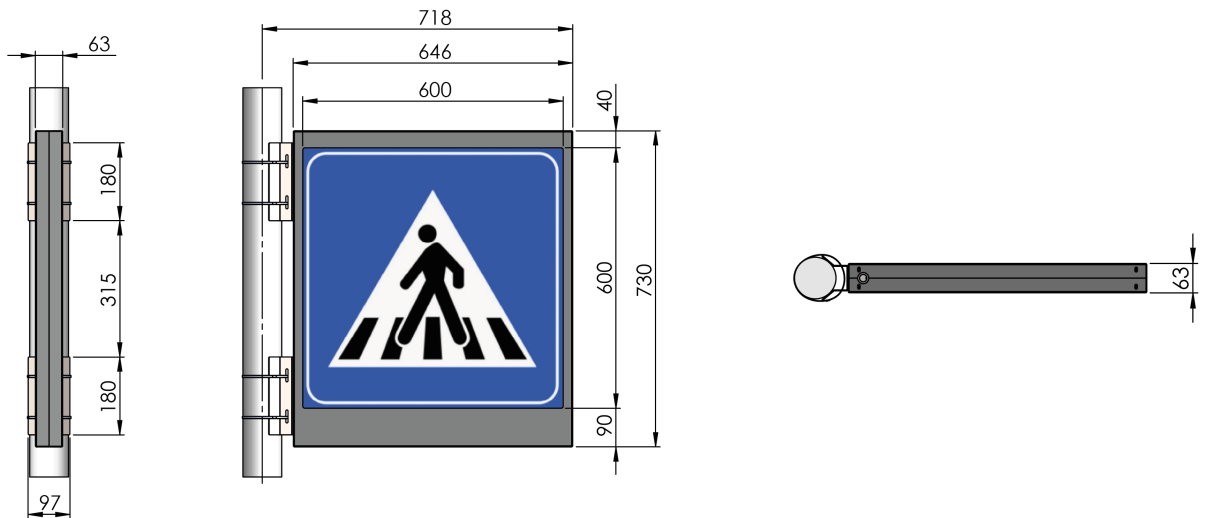
**Version with 60 mm pole brackets**



**Version with 90 mm pole brackets**



**Version with Band-it pole brackets**



Rev. 3.0  
18/12/2023

Approved TEC

Approved AQ