

# Push button

## TECHNICAL FEATURES



### Description

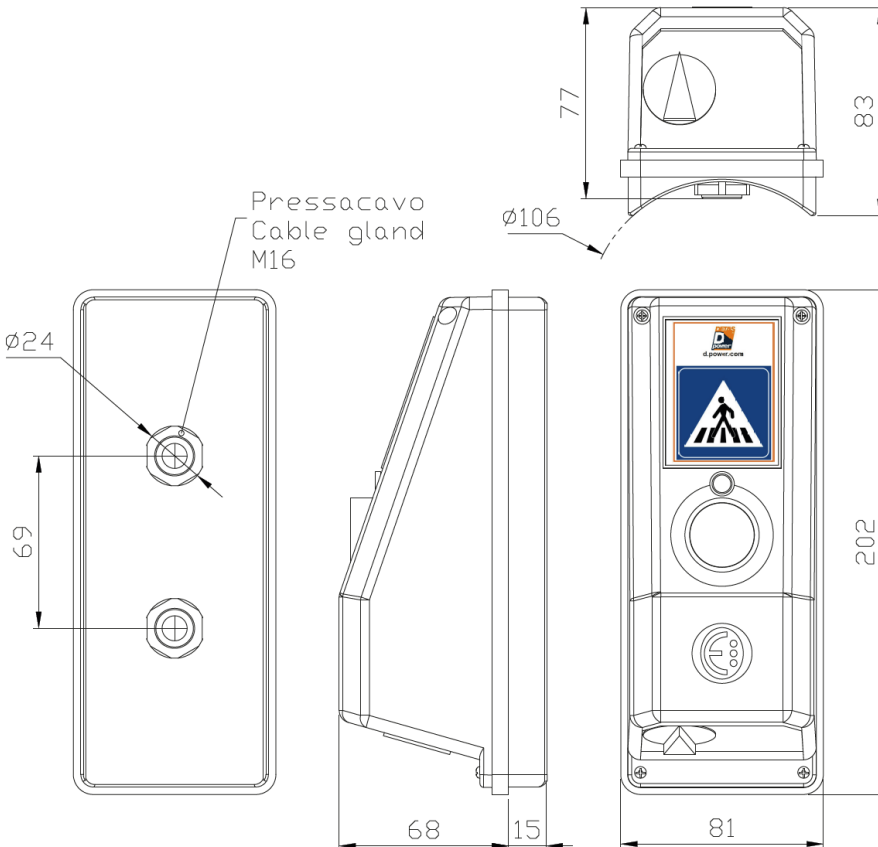
Pedestrian activation device to make the Safety Cross, APL Smart and APL Solar Active pedestrian crossing systems safe and interactive.

### ELECTRICAL FEATURES

Power Supply	12 Vdc (11 ÷ 13 Vdc)
Average power consumption	>0.1 W
Light signaling	Flashing red signaling LED (it signals the presence of the power supply)
Activation system	Mechanical
Insulation class	Class III

### MECHANICAL FEATURES

Operating temperature	-10°C ÷ +55°C
IP Protection Degree	IP54
Dimensions	81 x 202 x 83 mm
Weight	0.4 Kg
Material	Plastic
Fixing	holes for 2 screws



Rev. 3.0  
06/03/2023

Approved TEC

Approved AQ