

LightGuard

TECHNICAL FEATURES



Description

Rechargeable light device for personal safety.

OPTICAL FEATURES

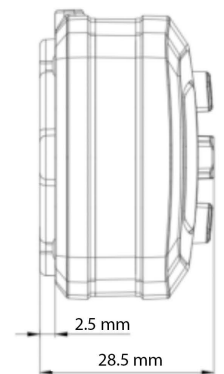
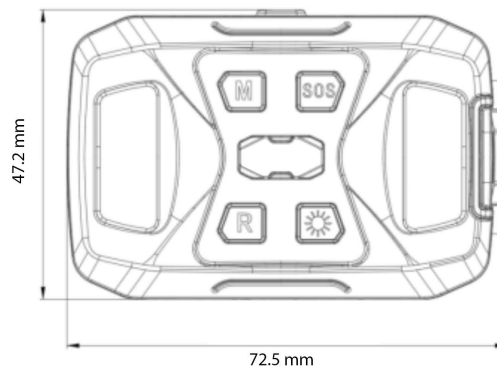
Light source	LED
Optics	360° + front
Colour	Amber and blue
Flashing modes	12 for the single module; 7 for the synchronized operation

ELECTRICAL FEATURES

Power supply	Rechargeable lithium battery
Charge time	4 hours (type C cable included)
Operating time	Side flow light: 20 hours Low brightness illumination: 12 hours High brightness illumination: 3 hours
Insulation class	Class III

MECHANICAL FEATURES

IP protection degree	IP67
Weight	110 g
Dimensions	47.2 x 72.5 x 28.5 mm
Flare materials	PA6 + GF
Fixing	Magnetic base; Magnetic clip
Operating temperature	-20 °C ÷ +55 °C



Rev. 3.0
03/10/2025

Approved TEC

Approved AQ