

LEDBox 2xBasic201 220x440 adjustable

TECHNICAL FEATURES



Description

External command LEDBox with 2 Basic 201 projectors. Possibility of orienting sun visors and pole brackets in order to install the device on straight poles or on the horizontal boom of the portals.

OPTICAL FEATURES

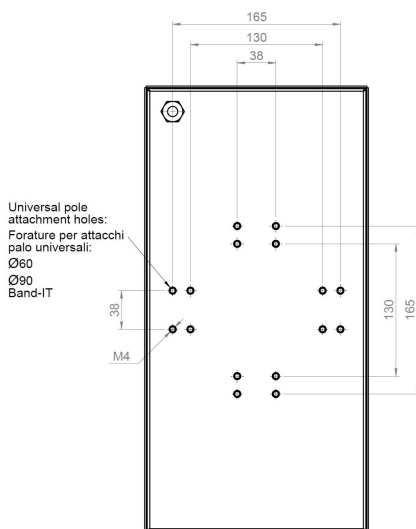
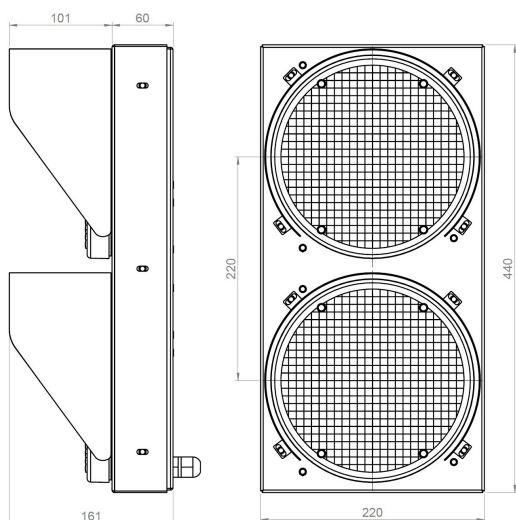
Certification	EN12352: L8H	
Light source	2 x Basic201	
Optic	Single-sided	
Colour	Amber	Green/Red
Optical Group Life	> 50'000 Hours	

ELECTRICAL FEATURES

Power supply	12 ÷ 24 Vdc	
Power consumption	7.8 W @12Vdc (each projector)	
Functioning	External command (Steady light)	
Protections	Reverse polarity; Overvoltages	
Insulation class	Class III	

MECHANICAL FEATURES

Operating temperature	-25 °C ÷ +55 °C	
IP protection degree	IP65	
Dimensions	220 x 440 x 161 mm (poles brackets not included)	
Weight	2.8 Kg	
Fixing	Band-it, 90mm and 60mm (not Included)	



Rev. 3.0
28/02/2024

Approved TEC

Approved AQ