

LEDBox 2xBasic201 600x200 - central mount

TECHNICAL FEATURES



Description

600x200 LEDBox with 2 Basic 201 projectors.

OPTICAL FEATURES

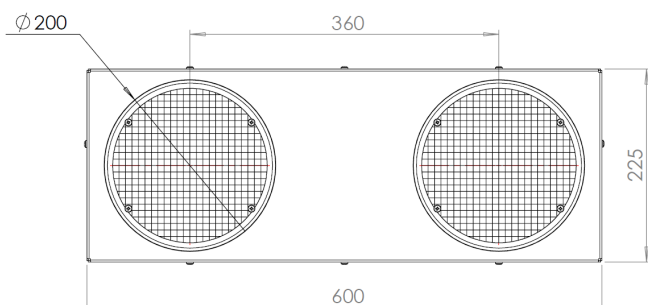
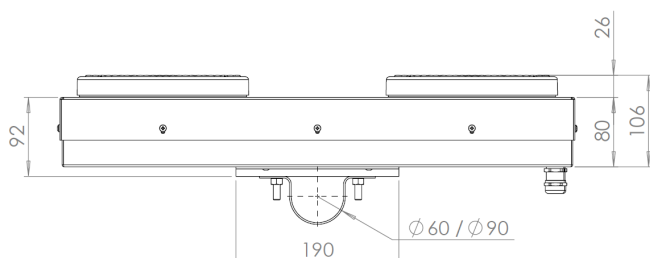
| | |
|--------------------|--------------------|
| Certification | EN12352: L8H - L8M |
| Light source | 2xBasic201 |
| Optic | Single-sided |
| Colour | Amber |
| Optical Group Life | > 50'000 Hours |

ELECTRICAL FEATURES

| | |
|-------------------|---|
| Power supply | 12 Vdc |
| Power consumption | 7.8 W @12Vdc (each projector) |
| Functioning | External command (Steady light) Flashing light (60 flash/min) |
| Protections | Reverse polarity; Overvoltages |
| Insulation class | Class III |

MECHANICAL FEATURES

| | |
|-----------------------|---|
| Operating temperature | -25 °C ÷ +55 °C |
| IP protection degree | IP65 |
| Dimensions | 600 x 225 x 106 mm (collars not included) |
| Weight | 4 Kg |
| Fixing | Collars for pole Ø60mm (included); Predisposition for collars for Ø90 mm pole |



Rev. 3.0

20/05/2024

Approved TEC

Approved AQ