

LEDBox 2xBasic201 600x200 - flag mount

TECHNICAL FEATURES



Description

600x200 LEDBox with 2 Basic 201 projectors.

OPTICAL FEATURES

Certification	EN12352: L8H - L8M
Light source	2xBasic201
Optic	Single-sided
Colour	Amber
Optical Group Life	> 50'000 Hours

ELECTRICAL FEATURES

Power supply	12 Vdc
Power consumption	7.8 W @12Vdc (each projector)
Functioning	External command (Steady light)
Protections	Reverse polarity; Overvoltages
Insulation class	Class III

MECHANICAL FEATURES

Operating temperature	-25 °C ÷ +55 °C		
IP protection degree	IP65		
Dimensions	600 x 210 x 83 mm (collars not included)		
Weight	4 Kg		
Fixing	60 mm	90 mm	Band-it

Rev. 3.0

20/05/2024

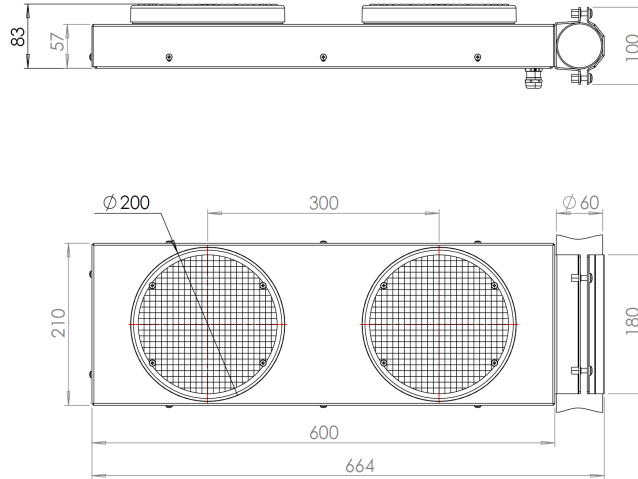


Approved TEC

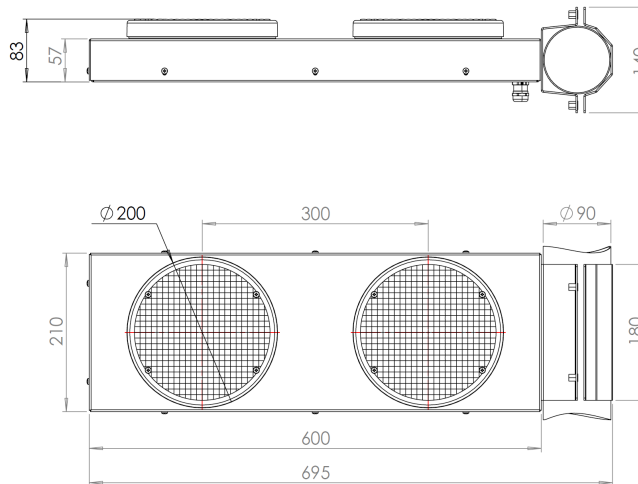


Approved AQ

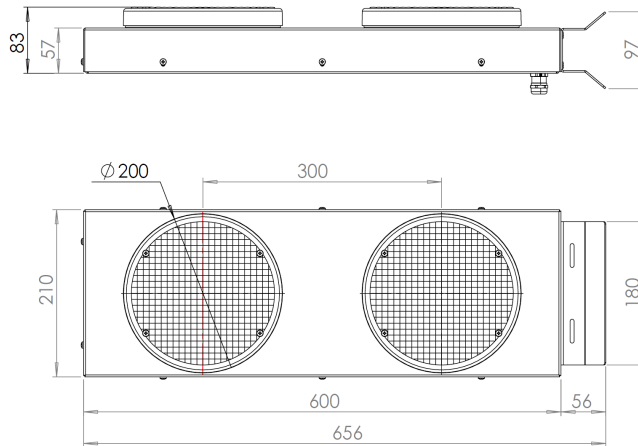
Version with 60 mm pole brackets



Version with 90 mm pole brackets



Version with Band-it pole brackets



Rev. 3.0
20/05/2024

Approved TEC

Approved AQ