

LEDBox 1xBasic201 200x200 - central mount



TECHNICAL FEATURES



Description

200x200 LEDBox with Basic201 projector.

OPTICAL FEATURES

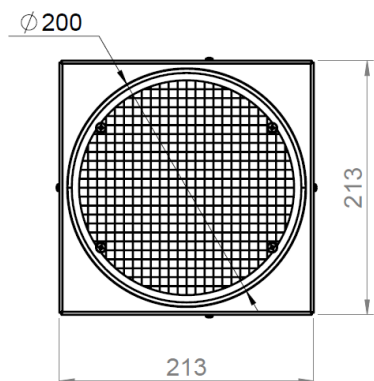
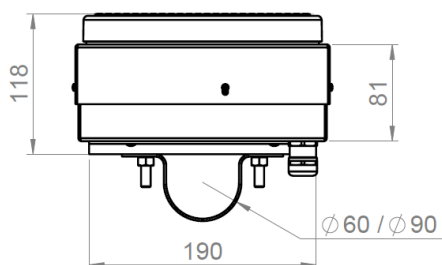
| | |
|--------------------|--------------------|
| Certification | EN12352: L8H - L8M |
| Light source | Basic201 |
| Optic | Single-sided |
| Colour | Amber |
| Optical Group Life | > 50'000 Hours |

ELECTRICAL FEATURES

| | |
|-------------------|---|
| Power supply | 12 Vdc |
| Power consumption | 7.8 W @12Vdc |
| Functioning | External command (Steady light) Flashing light (60 flash/min) |
| Protections | Reverse polarity; Overvoltages |
| Insulation class | Class III |

MECHANICAL FEATURES

| | |
|-----------------------|---|
| Operating temperature | -25 °C ÷ +55 °C |
| IP protection degree | IP65 |
| Dimensions | 213 x 213 x 118 mm (collar not included) |
| Weight | 2 Kg |
| Fixing | Collars for pole Ø60mm (included); Predisposition for collars for Ø90 mm pole |



Rev. 3.0
11/03/2024

Approved TEC

Approved AQ