

Indicator Flat 3 SL16

TECHNICAL FEATURES



Description

Mobile speed bollard with integrated radar, ideal as an active signal for speed reduction near road construction sites and other mobile applications.

DISPLAY FEATURES

LED colours	Amber, red, green, white
Character height	300 mm
Power supply	12 Vdc (11÷14 Vdc)
Maximum power consumption	11 W
Software	App Android included
Connections	USB, Bluetooth, Wi-Fi, LAN, HSDPA, GPRS/GSM/GPS
Display dimensions	645 x 410 x 75 mm
Special features	Smile + Speed limit
Insulation class	Class III

MECHANICAL FEATURES

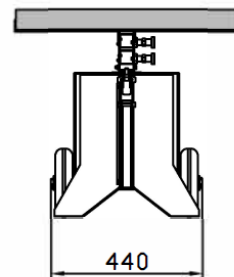
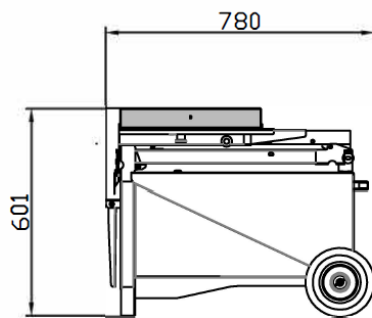
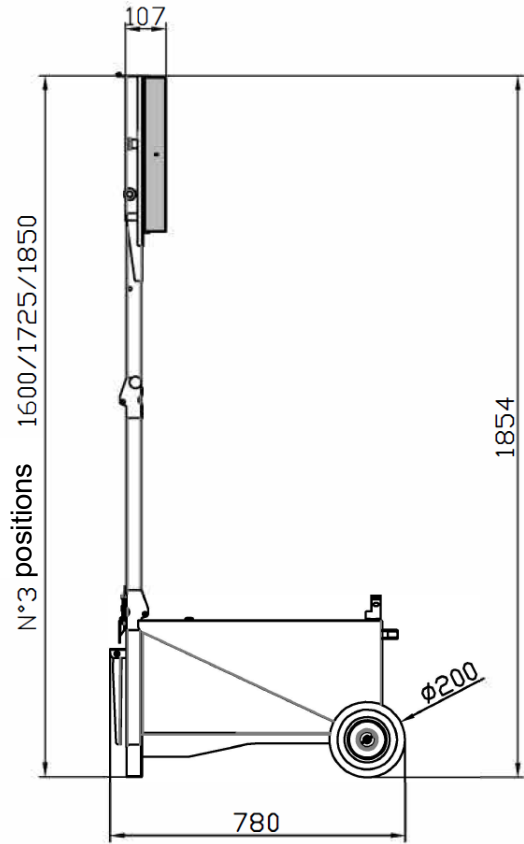
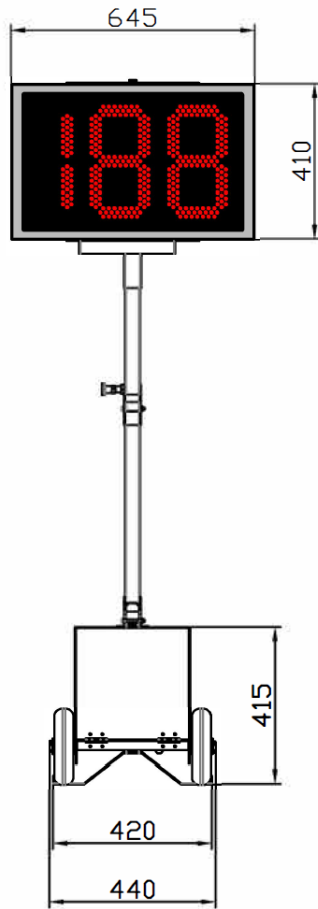
Operating temperature	-10°C ÷ +55°C
Display IP protection Degree	IP64
Cart IP protection Degree	IP54
Weight	25 Kg (without battery)
Dimensions (Open)	1850 x 780 x 440 mm
Dimensions (Closed)	780 x 601 x 440 mm
Adjustable height	1600/1725/1850 mm
Display material	Aluminum
Cart material	Painted galvanized steel



Rev. 3.0
29/09/2023

Approved TEC

Approved AQ



Rev. 3.0
29/09/2023

Approved TEC

Approved AQ