

EPM control unit

TECHNICAL FEATURES



Description

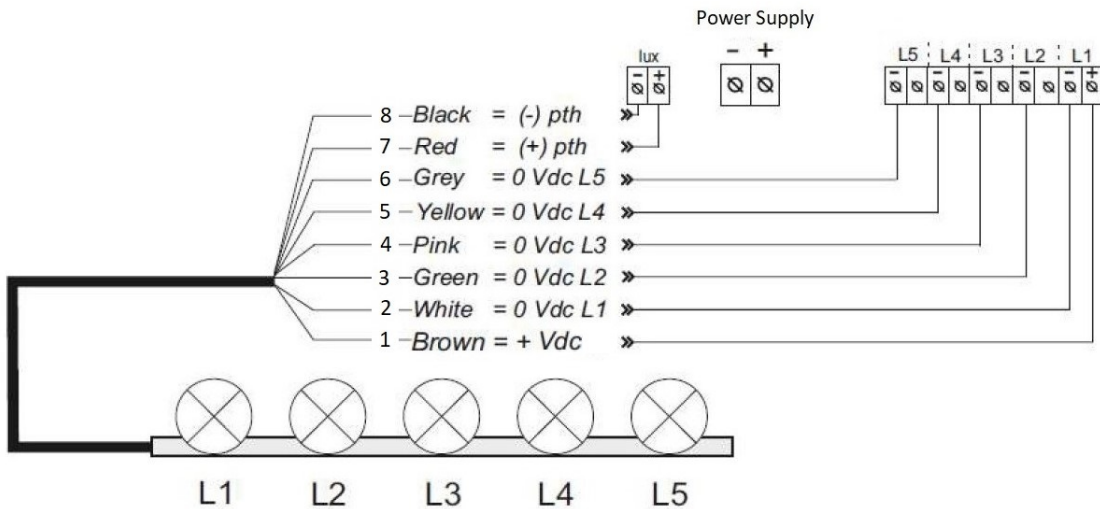
Control unit for Basic Bar 210 with diagnostic synoptic, battery status LED and night dimming.

ELECTRICAL FEATURES

| | | |
|-------------------|---|--------|
| Power supply | 12 Vdc | 24 Vdc |
| Power consumption | 1.2 W | 1.9 W |
| Outputs | 5 configurable | |
| Insulation class | Class III | |
| Protections | Overload; Overvoltage; Polarity inversion | |

MECHANICAL FEATURES

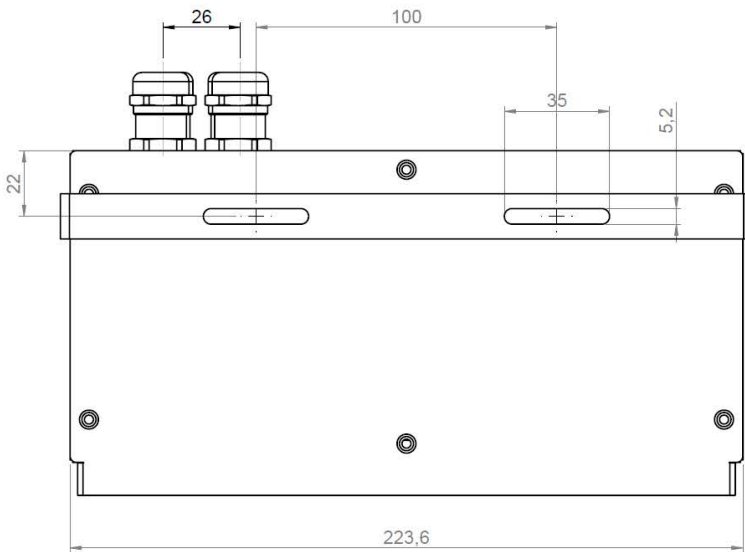
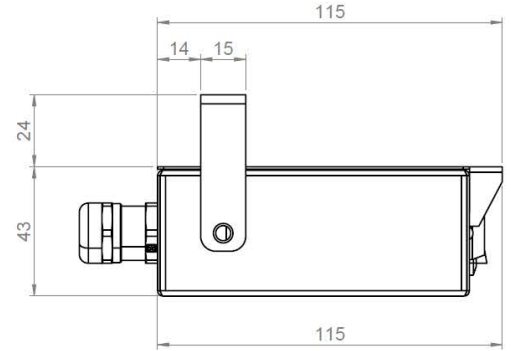
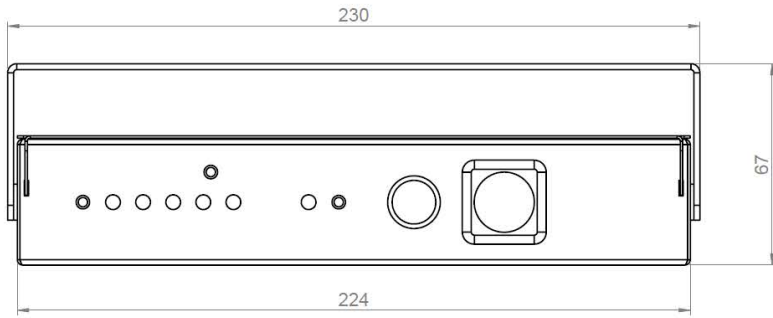
| | | |
|-----------------------|----------------------------|--|
| Operating Temperature | +55°C ÷ -10°C | |
| Material | Powder painted sheet metal | |
| Dimensions | 230 x 67 x 115 mm | |
| Weight | 500 g | |



Rev. 3.0
18/10/2023

Approved TEC

Approved AQ



Rev. 3.0
18/10/2023

Approved TEC

Approved AQ