

Basic Bar 304

TECHNICAL FEATURES



Description

LED bar composed of 6 Basic 304 projectors certified UNI EN 12352, class L9H

OPTICAL FEATURES

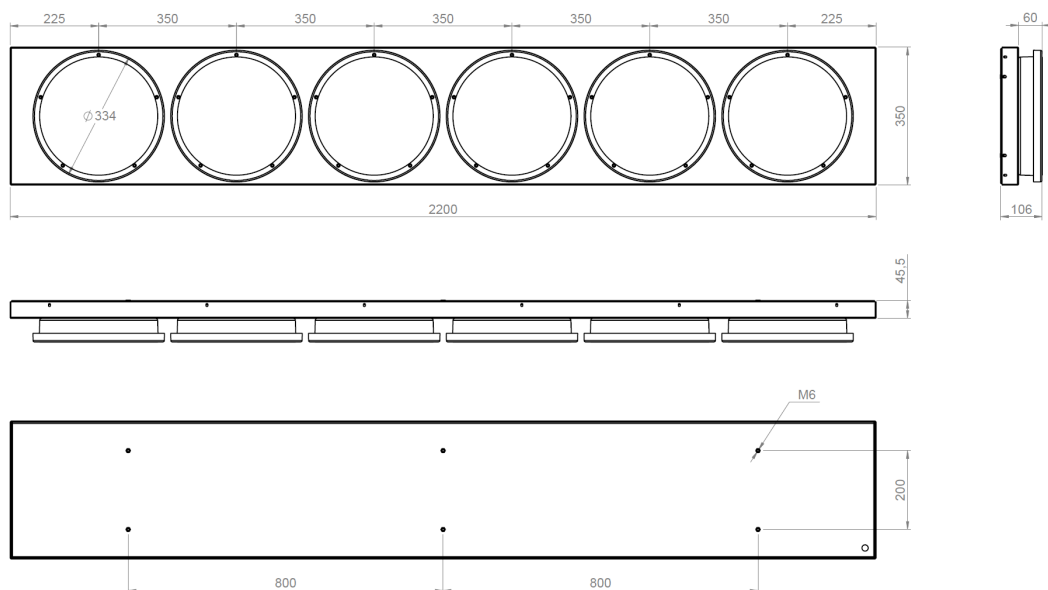
Light source	6 Basic304 LED
Optics	Single-sided
Color	Amber
Optical Goup Life	> 50'000 hours

ELECTRICAL FEATURES

Power Supply	12÷24 Vdc (11÷30 Vdc)
Power consumption	17.5 W for each Basic304
Wiring	Supplied with 10 m multipolar cable
Insulation class	Class III
Protections	Overvoltages; Overcurrents

MECHANICAL FEATURES

Material	Black painted aluminum using polyester powder paints
Dimensions	2200 x 350 x 106 mm
Total Weight	19 kg
Operating Temperature	-10 °C ÷ +55 °C



Rev. 3.0 13/10/2023		Approved TEC		Approved AQ
------------------------	--	--------------	--	-------------