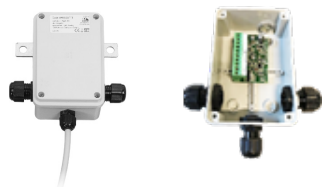


Instructions for sequences with external control LED lights



External Control - Basic 200
Basic 302 -LEDBOX

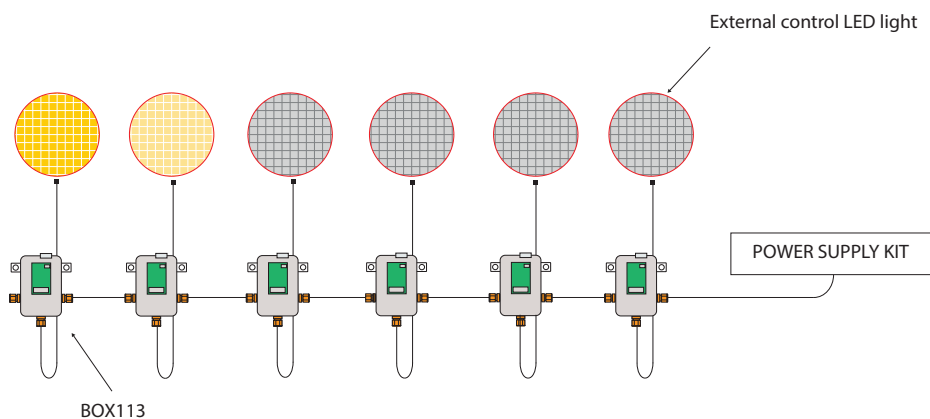


BOX113-BOX114-BOX118

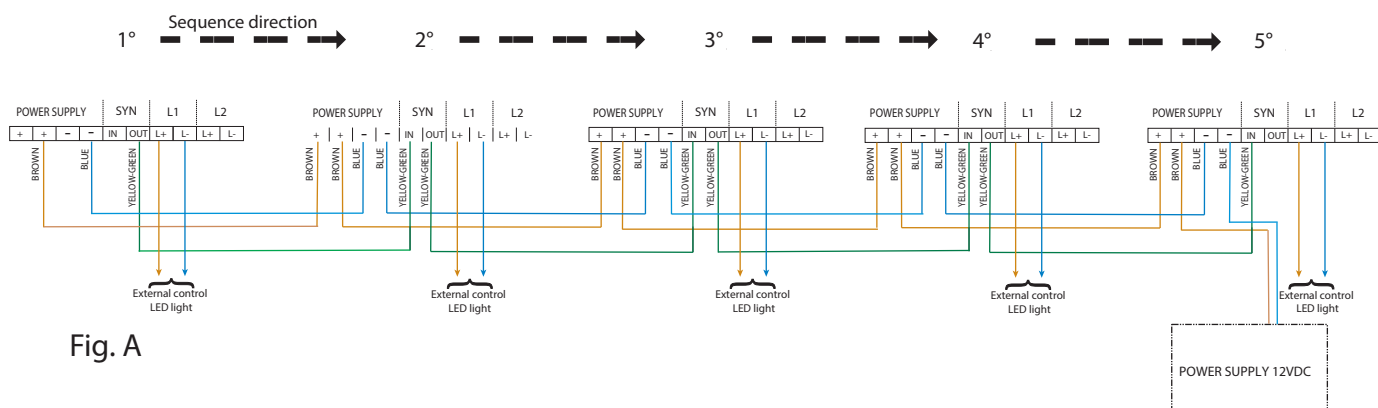


BOX137

2- Connect a BOX113 for each external control;



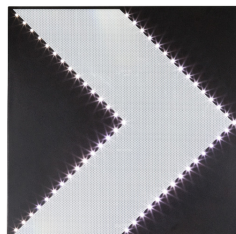
3- Connect the cable of the external control on L1 (+,-). Connect the wires inside the BOX113 as shown below (A);



Sequences instructions



External Control - Basic 200
Basic 302 - LEDBOX

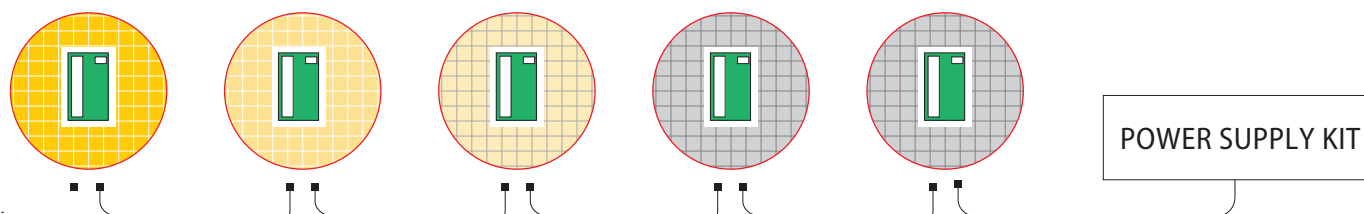


VISUAL LED



BOX137

2- Open the LED light or the BOX on the back of the VISUAL LED;



3- Connect the cable inside the LED light or inside the BOX on the back of the VISUAL LED, as shown below (B).

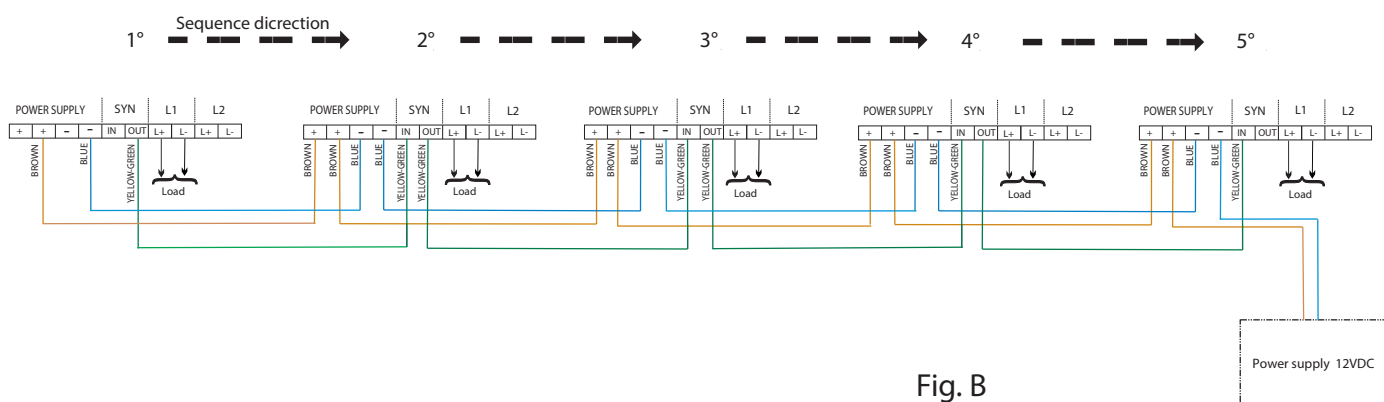


Fig. B

Sequences instructions

The power supply kit can be placed at the beginning (D) or at the end of the sequence (E).

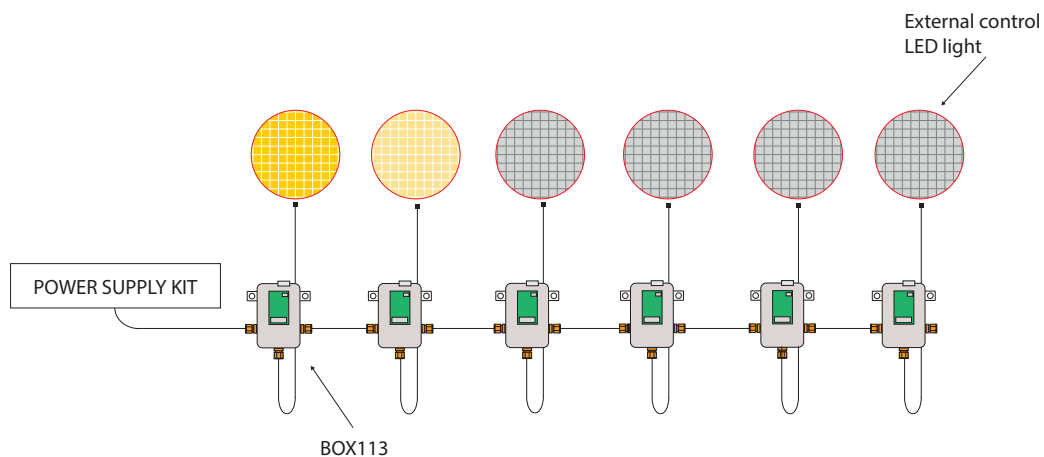


Fig. D

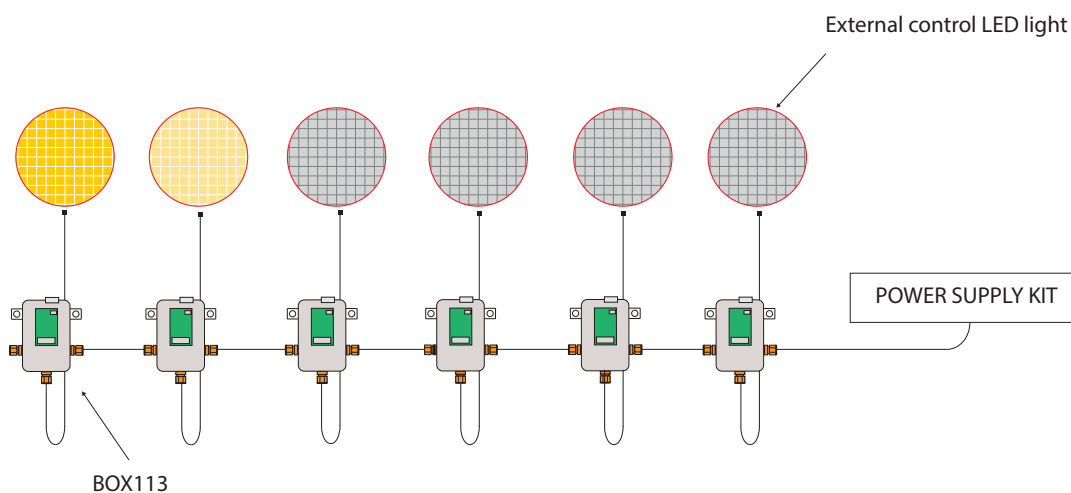


Fig. E

In the case of multiple power points or central ones, use a BOX 137 for every power supply kit (F);

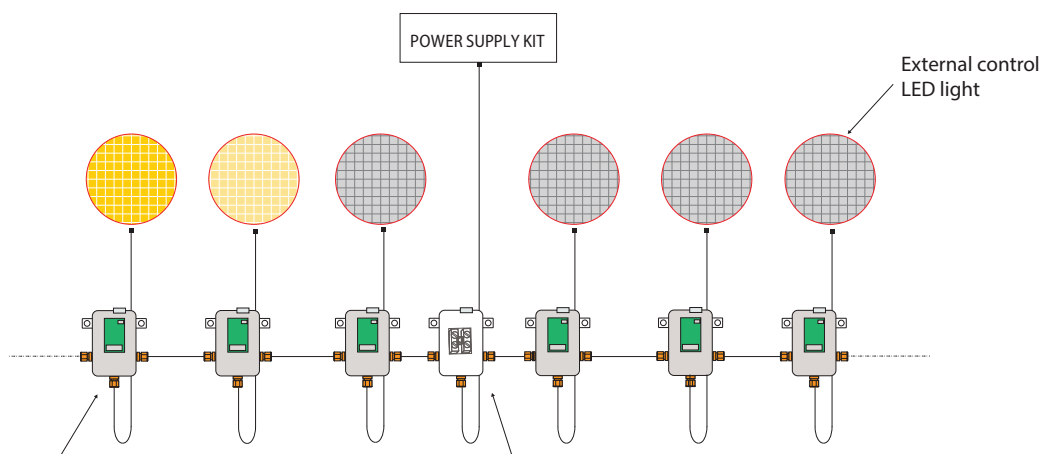


Fig. F